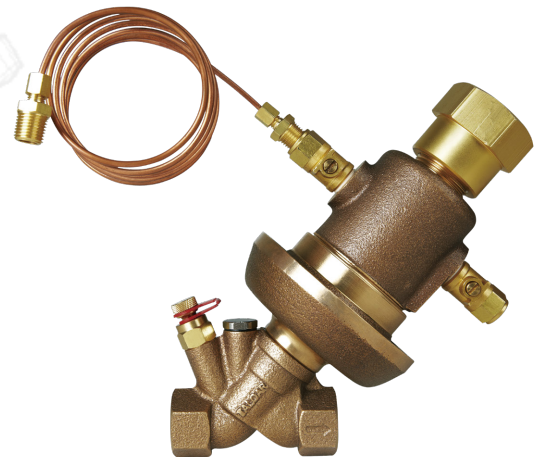


# Differential Pressure Control Valves

## PN25/ 350PSI

PC320 bronze differential pressure control valve, designed with a low-resistance Y-shaped structure, provides more accurate and stable control in the variable flow system, automatically and keeps the differential pressure between both ends of the control valve at a relatively stable value, with no external power source needed. The high-precision disc and reliable sealing performance ensures precision and durability in flow measurement. PC320 is mainly used in the HVAC system.



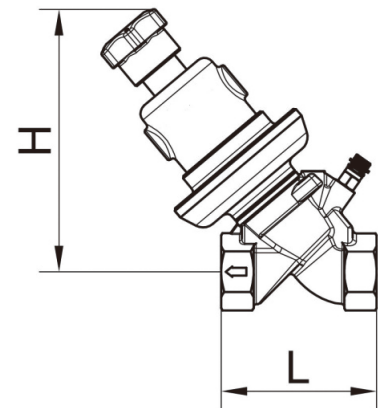
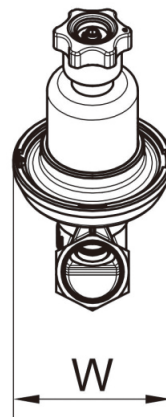
**PC320**  
¾" ~ 2"

## Product Features

- Relying on the pressure change of the high/low pressure chambers to change the valve opening angle, automatically keeping differential pressure constant.
- Large controllable pressure differential range.
- Valve shut-off function.
- differential Pressure value can set at site.
- Pressure measuring connections on both side.
- Vent hole in high pressure chamber.
- Lower noise.

## Technical Parameters

**Pressure Grade:** PN25/350PSI  
**Working Temperature:** -10°C~120°C  
**Size:** ¾" - 2" , DN20 mm-DN50 mm  
**End Type:** BSPT or NPT threads  
**Medium:** Water  
**Max. Kpa:** ≥250



## Material Specifications

**Body:** Bronze  
**Bonnet:** Bronze  
**Disc:** Copper alloy  
**Seat:** Bronze  
**Seal Ring:** EPDM  
**Diaphragm:** EPDM  
**Spring:** SUS304  
**Stem:** SUS304  
**Hand Wheel:** Brass  
**Guide Piping:** Brass  
**Guide Piping Size:** 2 m (1/8")

## Dimensions/Weights

mm	20	25	32	40	50
In	¾	1	1¼	1½	2
L	84	96	110	120	150
H	175	185	195	202	208
W	102	102	122	122	122
Lbs	7.3	7.7	10.6	11.7	13.7
kg	3.3	3.5	4.8	5.3	6.2

\* In valve installation, it is strongly suggested that sufficient space should be left for easy maintenance in the future. A strainer shall be mounted in front of the valve to prevent foreign matters from blocking the valve.